

# Flood Lighting

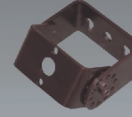
## YML-1FL31 Series



### Mounting Mode Options



Slip Flitter



U-Bracket

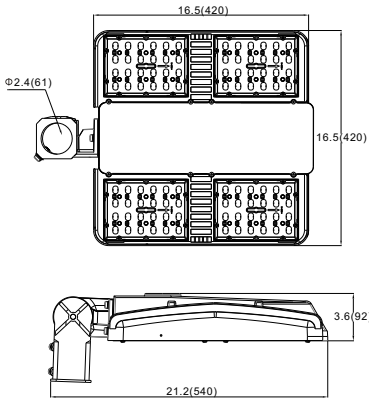


### Applications

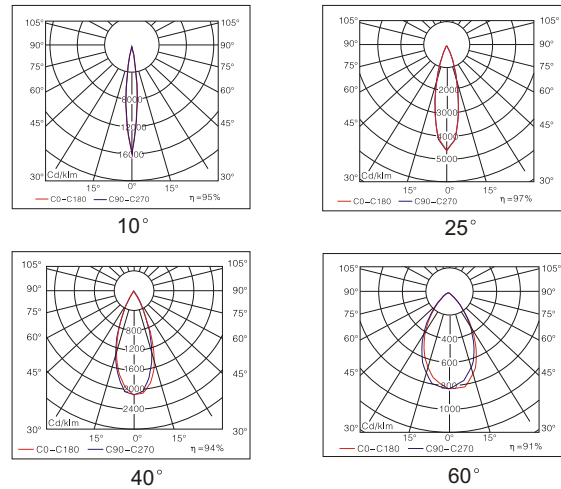
Gymnasiums, Billboards, Buildings, Parks, Pools, Parking Lots, Plazas, etc.

- Efficiency of chips: 150-165 lm/w, 180-195lm/w
- LENS: Optical grade PC, anti-UV oxidation.
- Beam Angle: 10°, 25°, 40°, 60°, 100°, special beam angle is available upon request.
- Housing: die casting aluminum housing with excellent heat dissipation, surface treated with powder coated finish for corrosion and static resistance.
- Input voltage: 120-277 VAC, 277~480VAC, 50/60 HZ
- LED module can be dismantled separately for maintenance.
- LED driver: constant current, efficiency is up to 92%, PF ≥ 0.95.
- IP class: IP65

### Dimension [ Inch(mm) ]



### Distribution Curve Flux



### Ordering Information

Example: YML-1FL31-150-750-C--S-010-1

Company code	Voltage	Type	Power	Ra	Colour Temp.	Colour Options	Mounting	Optic	Options
YML	1	FL 31	150 (150W 15500Lumens)	7	27	C Coffee(standard) B Black S Silver	S Slip flitter Y U bracket	010	1
	2		150P (150W 20300Lumens)	70	2700K			10'	0~10V dimming
	3		200 (200W 20570Lumens)	8	30			025	2
	4		200P (200W 25300Lumens)	80	3000K			25'	Timing dimming
	5		240 (240W 25500Lumens)	9	40			040	5
	200~240VAC		240P (240W 29300Lumens)	80	4000K			060	Wireless
	100~120VAC		300 (300W 30810Lumens)	90	50			100	
	277~480VAC		300P (300W 37600Lumens)		5000K			10'	
	347~480VAC				57			60'	
					5700K			100	
					65			100'	
					6500K				