



Fixture

1. Profiled aluminum main housing and die cast aluminum side covers with heat-resistant and gas tight rubber seal for high IP rating
2. High-reflection efficiency reflector imported from Germany
3. Tempered glass cover for shock resistance and durable use
4. Front opening structure for easy installation and maintenance
5. IP Class: IP65

Lamp and Ballast

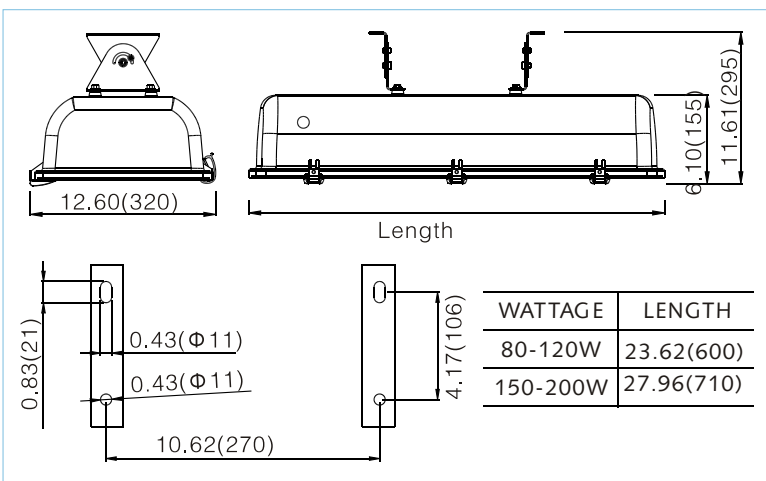
1. 80-200W rectangle induction lamp with high lumen efficiency, high lumen maintenance, long lifespan and excellent CRI
2. 80-200W electronic ballast with profiled aluminum case, high power factor (>0.96), low energy loss, and long lifespan

Applications

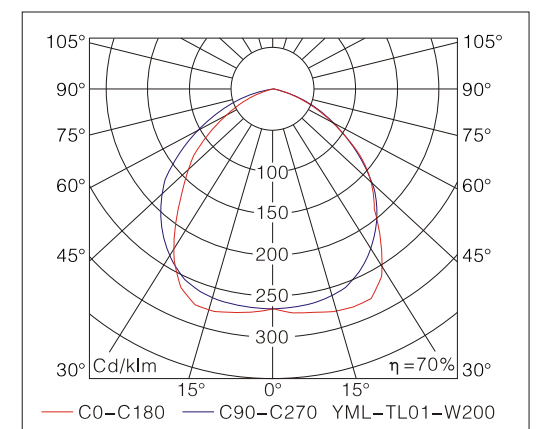
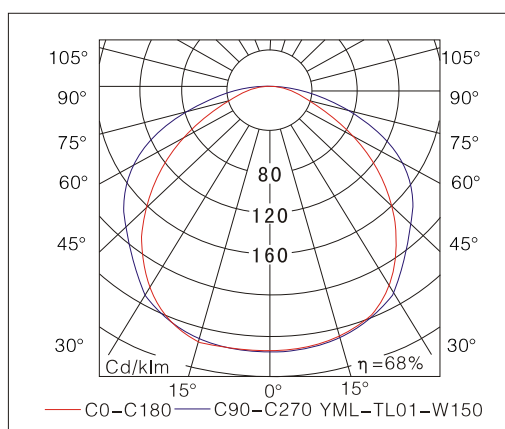
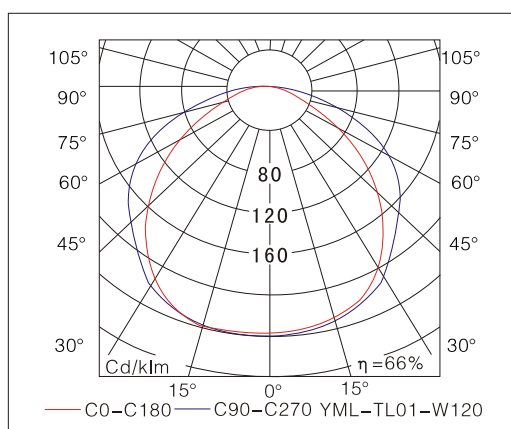
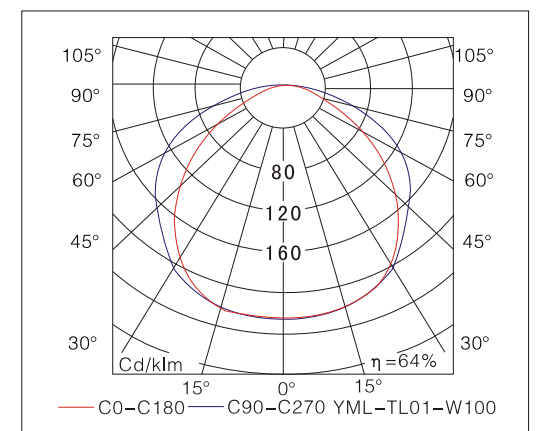
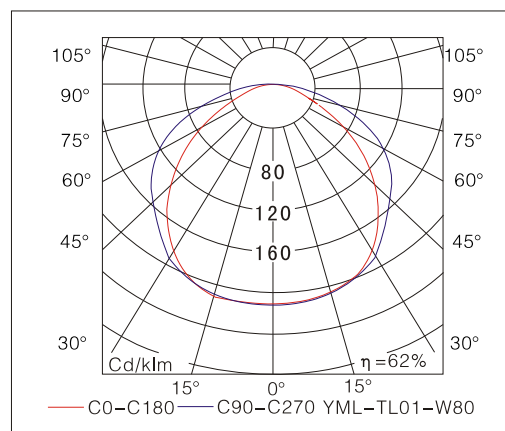
Highway Tunnels, Road Tunnels, Below Viaducts, Freeways, Public Entrances, etc.

Warning: Disable all power to the luminaire before conducting any maintenance or upgrade activity. Failure to do so will create a hazardous and fatal working environment.

Dimensions [Unit: Inch(mm)]



Distribution Curve Flux



Specifications

Model	Lamp	Wattage (W)	Ballast Loss (W)	Voltage (V)	CCT (K)	Ambient Temperature	Installation	Replace HPS Lamp (W)
YML-TL01-01W80	WJY80J850W/Z	80	<8	AC:120-277V AC:208-347V	5000	-25 -40°C -13 -104°F	Roof mounted by 2 pcs "L"bracket, horizontal ±25°	150
YML-TL01-01W100	WJY100J850W/Z	100	<10					150
YML-TL01-01W120	WJY120J850W/Z	120	<12					250
YML-TL01-02W150	WJY150J850W/Z	150	<15					250
YML-TL01-02W200	WJY200J850W/Z	200	<20					400

Note: The products with CCT 2700-6500K are available upon request.