



Fixture

1. High-pressure die cast aluminum housing with powder-coated finish for corrosion resistance
2. Special designed lens optimizes light distribution
3. Stretched and anodized aluminum reflector
4. Optional photocell maximizes saving energy
5. Optional dimming function available upon request
6. IP Class: IP55

Lamp and Ballast

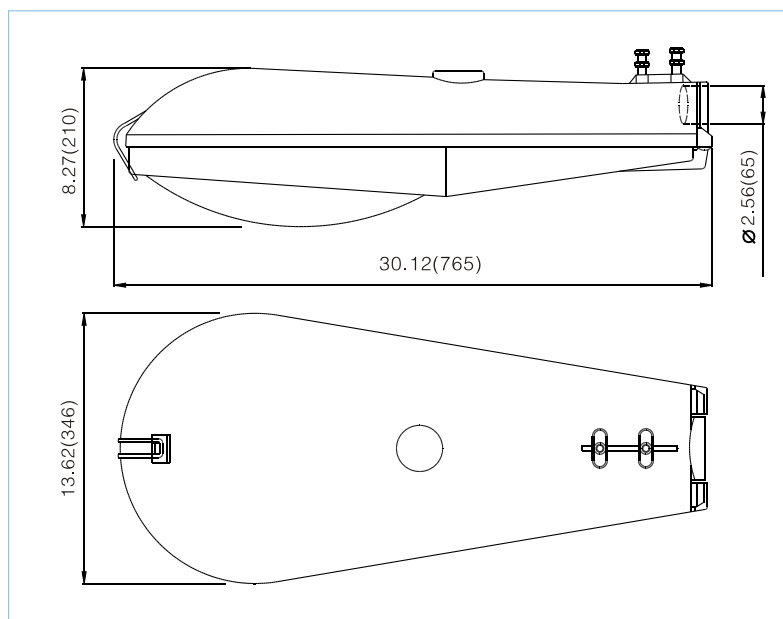
1. 40-100W rectangle induction lamp with high lumen efficiency, high lumen maintenance, long lifespan and excellent CRI
2. 40-100W electronic ballast with profiled aluminum case, high power factor (>0.96), low energy loss, and long lifespan

Applications

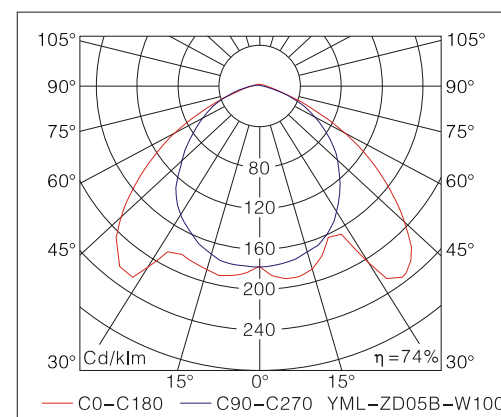
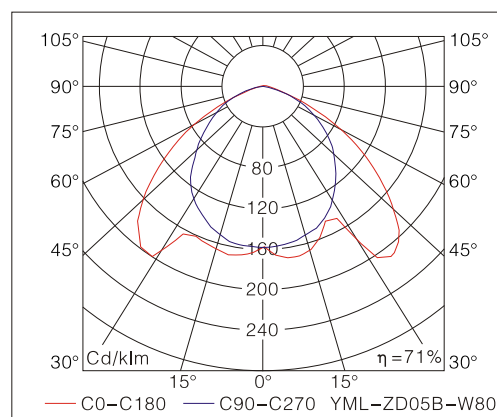
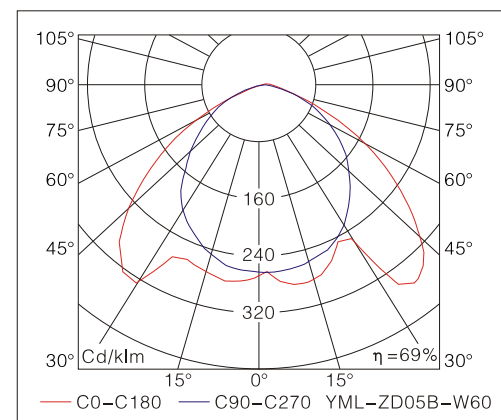
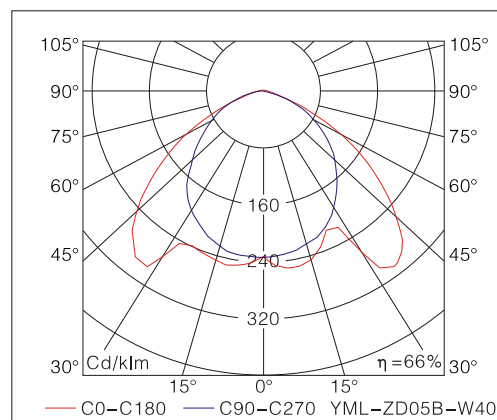
Roadways, Freeways, Highways, Parking Lots, Off-Street Areas, etc.

Warning: Disable all power to the luminaire before conducting any maintenance or upgrade activity. Failure to do so will create a hazardous and fatal working environment.

Dimensions [Unit: Inch(mm)]



Distribution Curve Flux



Specifications

Model	Lamp	Wattage (W)	Ballast Loss (W)	Voltage (V)	CCT (K)	Ambient Temperature	Installation	Replace HPS Lamp (W)
YML-ZD05B-W40	WJY40J850W41	40	<4	AC:120-277V AC:208-347V DC:12V, 24V	5000	-25 -40°C -13 -104°F	Φ 1.97-2.36(50-60) Round Pole	70
YML-ZD05B-W60	WJY60J850W41	60	<6					100
YML-ZD05B-W80	WJY80J850W/Z	80	<8					150
YML-ZD05B-W100	WJY100J850W/Z	100	<10					175

Note: The products with CCT 2700-6500K are available upon request