

FLOOD LIGHTING

YML - ZY01B-W200 SERIES



Fixture

1. High-pressure die cast aluminum housing with powder coated finish for corrosion resistance
2. Anodized aluminum reflector with crystal clear tempered glass for optimal light distribution
3. High quality gas tight silicon rubber seal for wet locations
4. Separated lamp housing and ballast for longer lifespan
5. IP Class: IP65

Lamp and Ballast

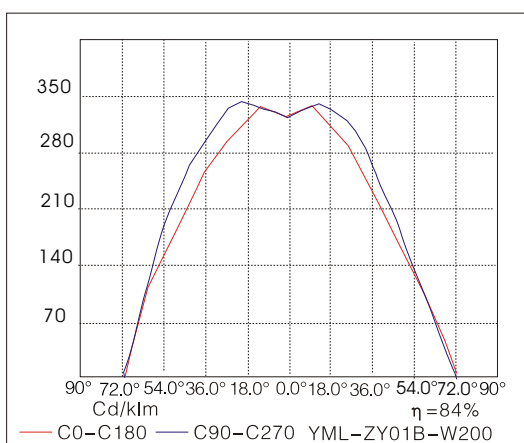
1. 200W rectangle induction lamp with high lumen efficiency, high lumen maintenance, long lifespan and excellent CRI
2. 200W electronic ballast with profiled aluminum case, high power factor (>0.96), low energy loss, and long lifespan

Applications

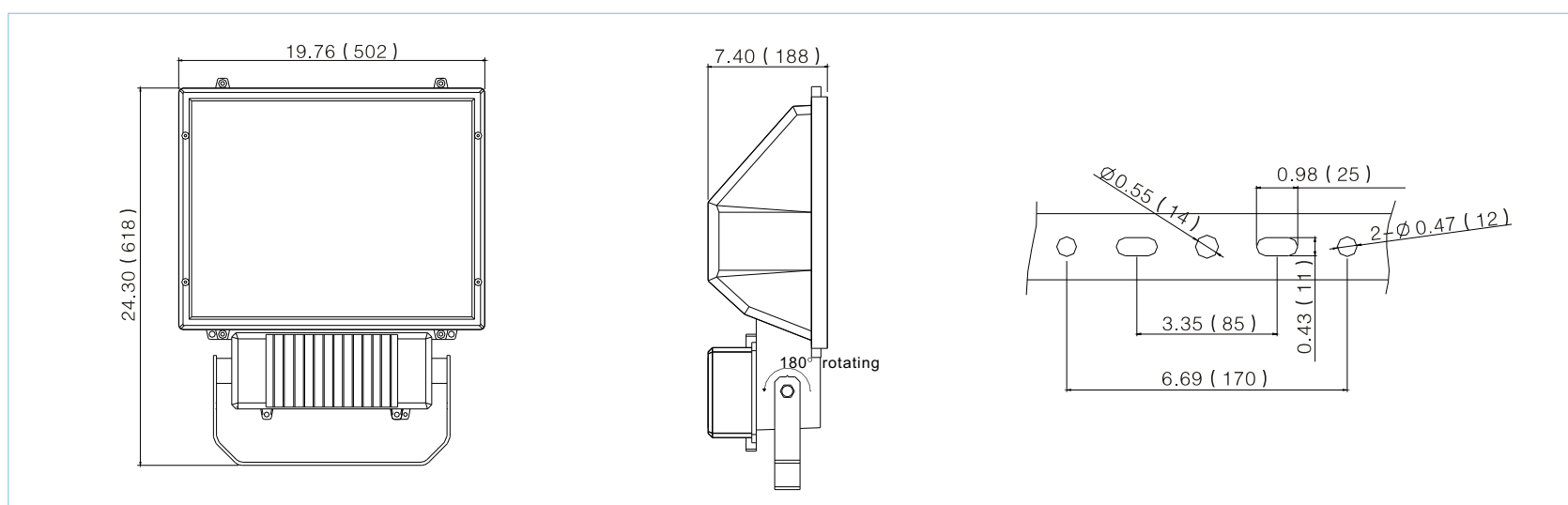
Gymnasiums, Billboards, Buildings, Parks, Pools, Parking Lots, Plazas, etc.

Warning: Disable all power to the luminaire before conducting any maintenance or upgrade activity. Failure to do so will create a hazardous and fatal working environment.

Distribution Curve Flux



Dimensions [Unit: Inch(mm)]



Specifications

Model	Lamp	Wattage (W)	Ballast Loss (W)	Voltage (V)	CCT (K)	Ambient Temperature	Installation	Replace MH Lamp (W)
YML-ZY01B-W200	WJY200J850W/Z	200	<20	AC:120-277V AC:208-347V AC:480V	5000	-25°C-40°C -13°F-104°F	Bracket	400

Note: The products with CCT 2700-6500K are available upon request